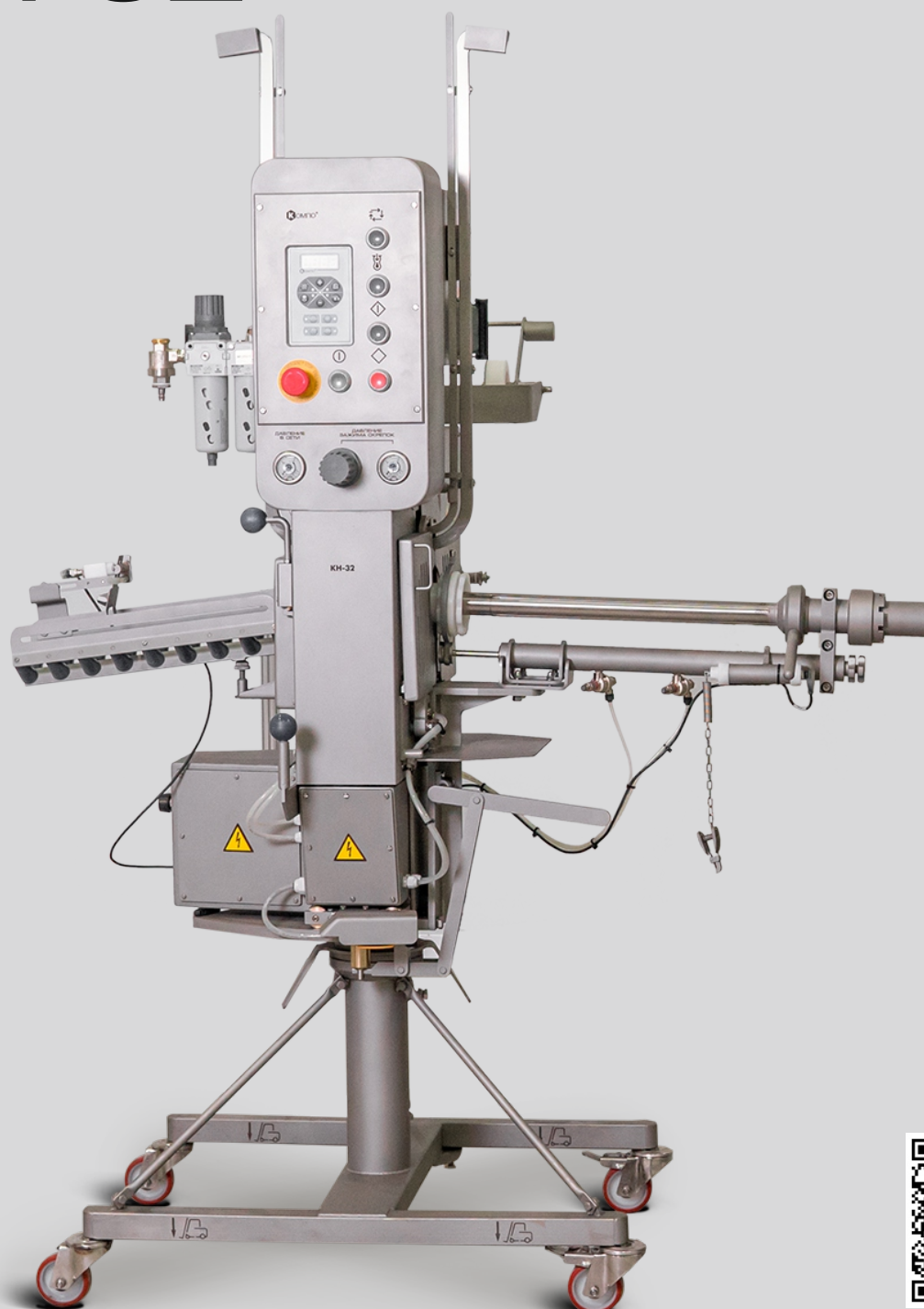
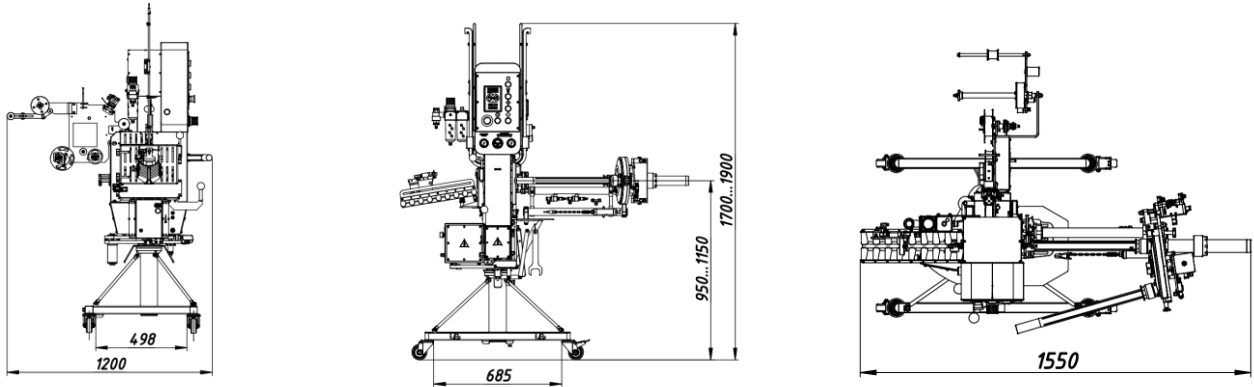


Automatic clipper KN-32



The KOMPO KN-32 clipper is designed for automatic production of sausage sticks using various casings. The clipper produces sausages with diameters ranging from 30 to 80 mm, either as single sticks or chains. It ensures stable operation primarily with polyamide casings.

The clipper's application is not limited to meat processing and extends to stuffing of paste-like fillings in tubular casings (ice cream, processed cheese, curd, butter, mayonnaise, and pet food) in other areas of the food industry. The KN-32 ensures the required stuffing density for various fillings at a temperature of at least 0°C.



Advantages:

- Due to the central clamping device, the casing shift is reduced to zero;
- Compatible with a filler of any manufacturer;
- Easy adjustment of casing filling density;
- Universality, simple maintenance, reliability and low operating costs;
- Optional automatic clips in reels feeding.



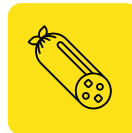
Simple reconfiguration to various casing diameters;



Casing changing time reduced due to double horn turret (manual or pneumatic) system;



Dosing of the weight of the stick being filled using a "timer", "flag" or "filler";



Automation for all operations of the working cycle including loops feeding for single sticks or sausage chains;

Technical specifications

| Model | KN-32 | KN-32-01 | KN-32-02 |
|--|----------------|----------------|----------------|
| Clipping cycle, max, s | 1 | 1 | 1 |
| Casing caliber, mm | 30-80 | 30-80 | 30-80 |
| Type of clips* | B, BP | B, BP | B, BP |
| Clip clamp drive | pneumatic | pneumatic | pneumatic |
| Clipping drive | pneumatic | pneumatic | pneumatic |
| Loop feed | automatic | automatic | automatic |
| Turret feeder | - | manual | pneumatic |
| Version | floor standing | floor standing | floor standing |
| Distance from floor to spindle axis, mm | 950 - 1150 | 950 - 1150 | 950 - 1150 |
| Air pressure in the working pneumatic network, Mpa | 0,6-0,7 | 0,6-0,7 | 0,6-0,7 |
| Air consumption, max, L/cycle | 1,7 | 1,7 | 2,0 |
| Length* Width* Height | 1135*1455*1900 | 1200*1625*1900 | 1200*1550*1900 |
| Net weight, kg | 175 | 200 | 200 |

* The clipper can be made to fit other types of clips