

---

# Vacuum filler

# KOMPO-MAXI 3000

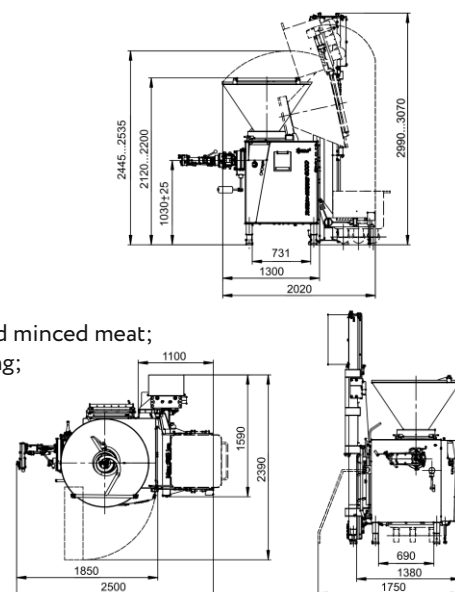


Screw vacuum filler KOMPO-MAXI 3000 is designed for filling and dosage of minced meat of cooked, cooked smoked, semi-smoked, dry-smoked and dry-cured sausages, frankfurters, small sausages and other paste-like masses.



## Advantages:

- Function of back suction of minced meat which reduces the loss of minced meat when replacing the casing and more efficiently clip delicate casings;
- First dose adjustment function;
- Compatibility with the clipper of any manufacturer;
- Higher durability of work elements due to the original design of the displacer screws;
- Efficient operation with liquid minced meat due to the use the "Vacuum+" mode;
- Programmable control system with graphical touch panel;
- Mounting of an additional pair of special screws allows processing of non-vacuumized minced meat;
- All units in contact with minced meat are easily removable and available for processing;
- Built-in system that signals the need for the next maintenance;



Universality, simple maintenance, reliability and low operating costs



High degree of minced meat vacuumization eliminating any porosity in all types of sausages;



High-quality production of all types of sausages



Programmable control system with graphical touch panel

## Technical specifications

|  |   |  |                                       |
|--|---|--|---------------------------------------|
| Agitator in hopper<br><b>+</b>           | Loader FCV<br><b>Option</b>                         | Sausage linking device FPS<br><b>Option</b>        | Attached grinder VNB<br><b>Option</b> |
| Minced meat temperature, °C<br><b>-4</b> | Output at nominal speed, kg/h<br><b>12000-16500</b> | Grinder output with VNB, kg/h<br><b>up to 6500</b> | Rated power supply, V<br><b>400</b>   |

| Model   | 3000             |
|---|------------------|
| Dosage range adjustment, g  | 10-99999         |
| Hopper capacity, L  | 270              |
| Distance from floor to spindle axis, mm                                       | 1030±25          |
| Output power with all options, kW   | up to 20         |
| Filler dimensions, mm:<br>Length* Width* Height                               | 1300* 1380* 2200 |
| Dimensions including loader FCV, mm:<br>Length* Width* Height                 | 2020*1750*3070   |
| Dimensions including sausage linking device FPS, mm:<br>Length* Width* Height | 1850* 1380* 2200 |
| Net weight including all options, kg  | up to 1320       |