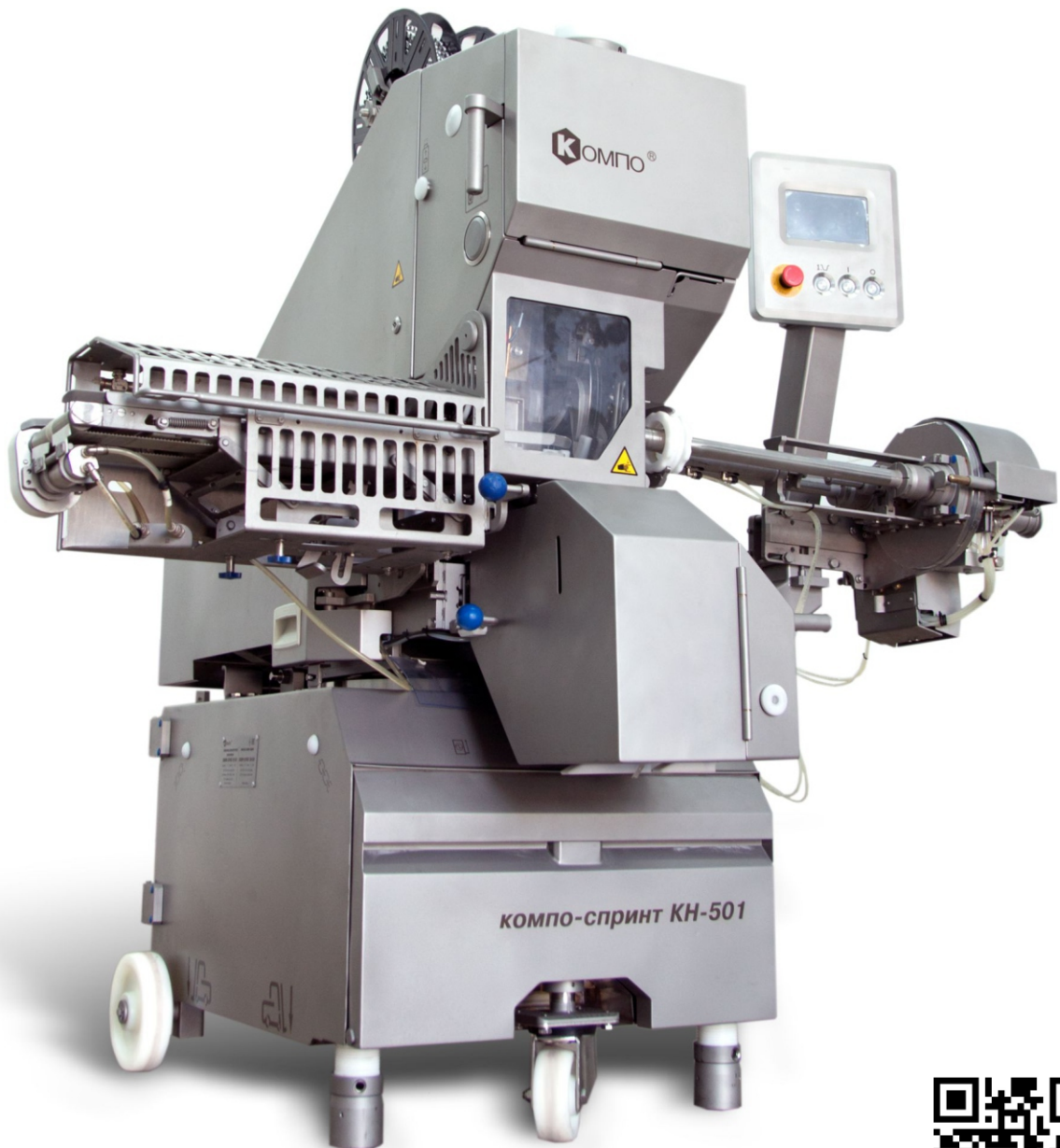




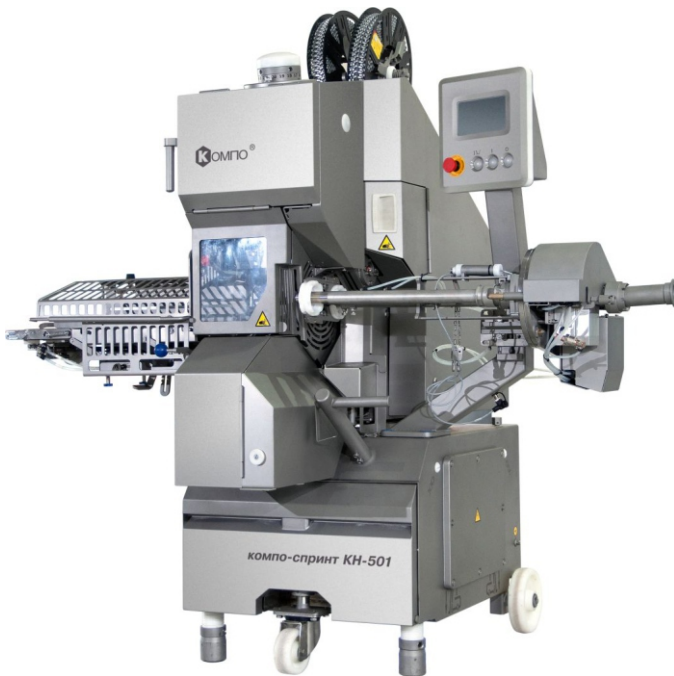
KOMPO SPRINT KN-501

AUTOMATIC DOUBLE CLIPPER



KOMPO SPRINT KN-501

AUTOMATIC DOUBLE CLIPPER

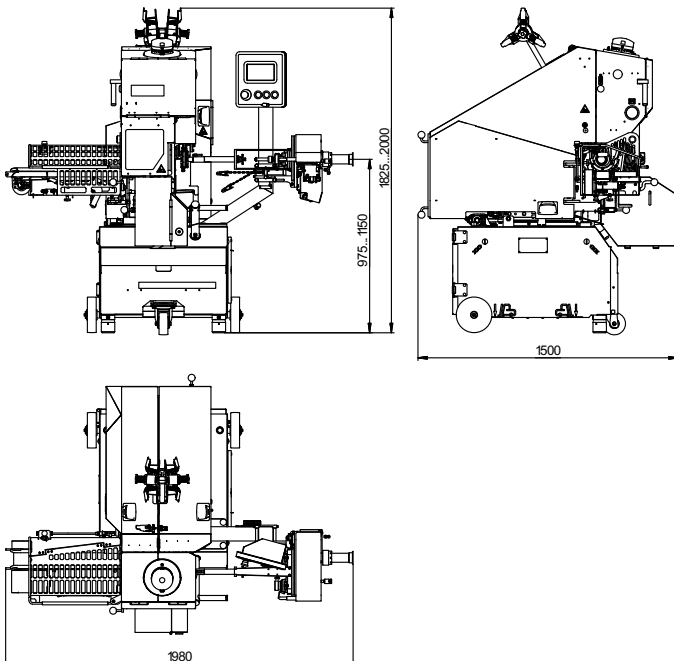


Automatic clipper KOMPO SPRINT KN-501 is intended for manufacturing sausage sticks in automatic mode using protein, polyamide, cellulose, fibrous casings. The clipper allows producing sausages within the range of diameters from 30 to 120 mm in the form of single sticks or chains, and circular sausages with thread or loop.

The scope of the clipper use is not limited to meat processing and extends to forming paste-like fillers into hose casing in dairy, fish, poultry and other fields (ice cream, processed cheese, curd mass, butter, mayonnaise, animal feed).

Technical specifications:

Model	KN-501
Clipping cycle, second	0,5
Diameter of casing to be clipped, mm	
- protein	30 - 80
- polyamide	45 - 120
Casing types	polyamide, fibrous, cellulose, collagen.
Clipping step	15, 18
Type of loops	traversal 20/100
Output power, kW	3,0
Loop feed	automatic
Date marking	on clip
Version	floor-standing
Distance from floor to stuffing horn, mm	975-1150
Air pressure, mPa	0,5-0,7
Air consumption per working cycle, liters	2,0
Dimensions, mm:	
Length*Width*Height	1400*1600*2170
Net weight, kg	850



ADVANTAGES:

- clipping sausage chains, single sticks;
- turn-back feeder for convenient filling of the casing;
- control of excess pressure on a clip;
- option of turret feeder installation;
- adjustable position of the twisting axis in relation to the matrix;
- electronic control panel with touch screen;
- programmable controller;
- design of the twisting and transport mechanisms ensures clean sausage tails;
- possibility to adjust the size of clipping;
- casing end and clip end sensors;
- quick changeover from a clip pitch of 15 to 18 and the distance between clips from 30 to 36;
- controlled casing brake;
- selection of the required configuration when ordering.



LLC "Machine-building enterprise "KOMPO"

Republic of Belarus

224032 Brest, st. Y. Kupaly, 106 A


www.kompo.com

e-mail: trade@kompo.by

  +375-29-722-09-10

 KOMPO_COM

 kompo_by

 kompoequipment